


PRODUCT SHEET

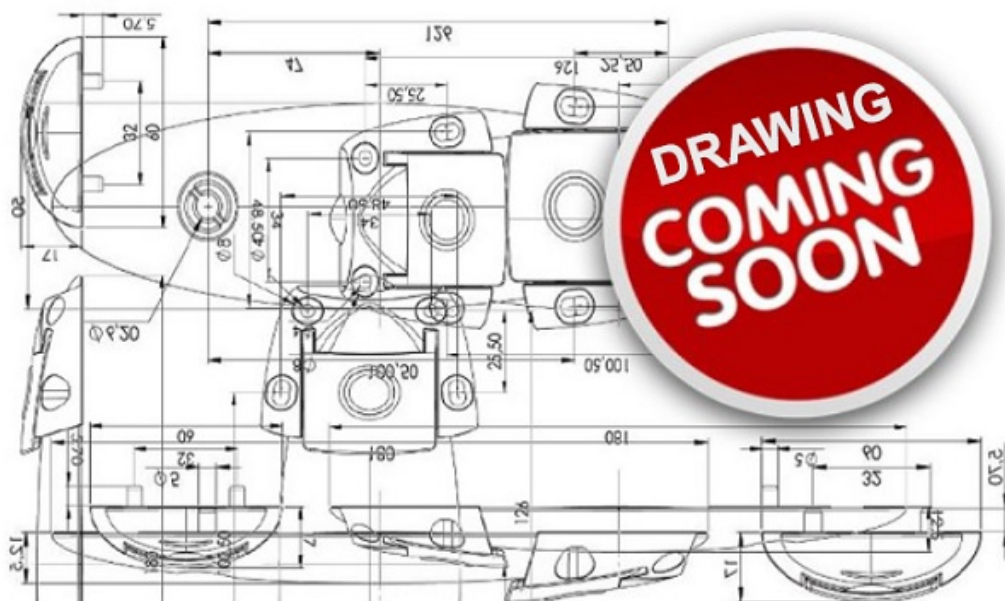
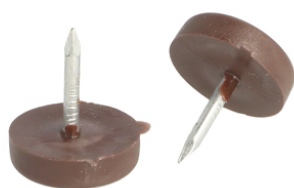
Description:

Plastic Tack,Nail-On Glide $\varnothing 21 \times 6 \text{mm}$,Dark Brown,Nail $\varnothing 2.5 \times 18 \text{mm}$

Item number:

10.25.048-0

Units	Box	Carton	HS Code	Barcode
Pcs.	400	8000	3926300090	 5704866009911



SISO A/S

Mileparken 11
DK-2740 Skovlunde
Denmark
VAT: DK 24786013

Phone +45 45 830 900

www.siso.dk
siso@siso.dk

Danske Bank
Nytorv Branch
Copenhagen
SWIFT: DABADKKK

Account no.
4180 3112 112936
IBAN Account
DK7230003112112936